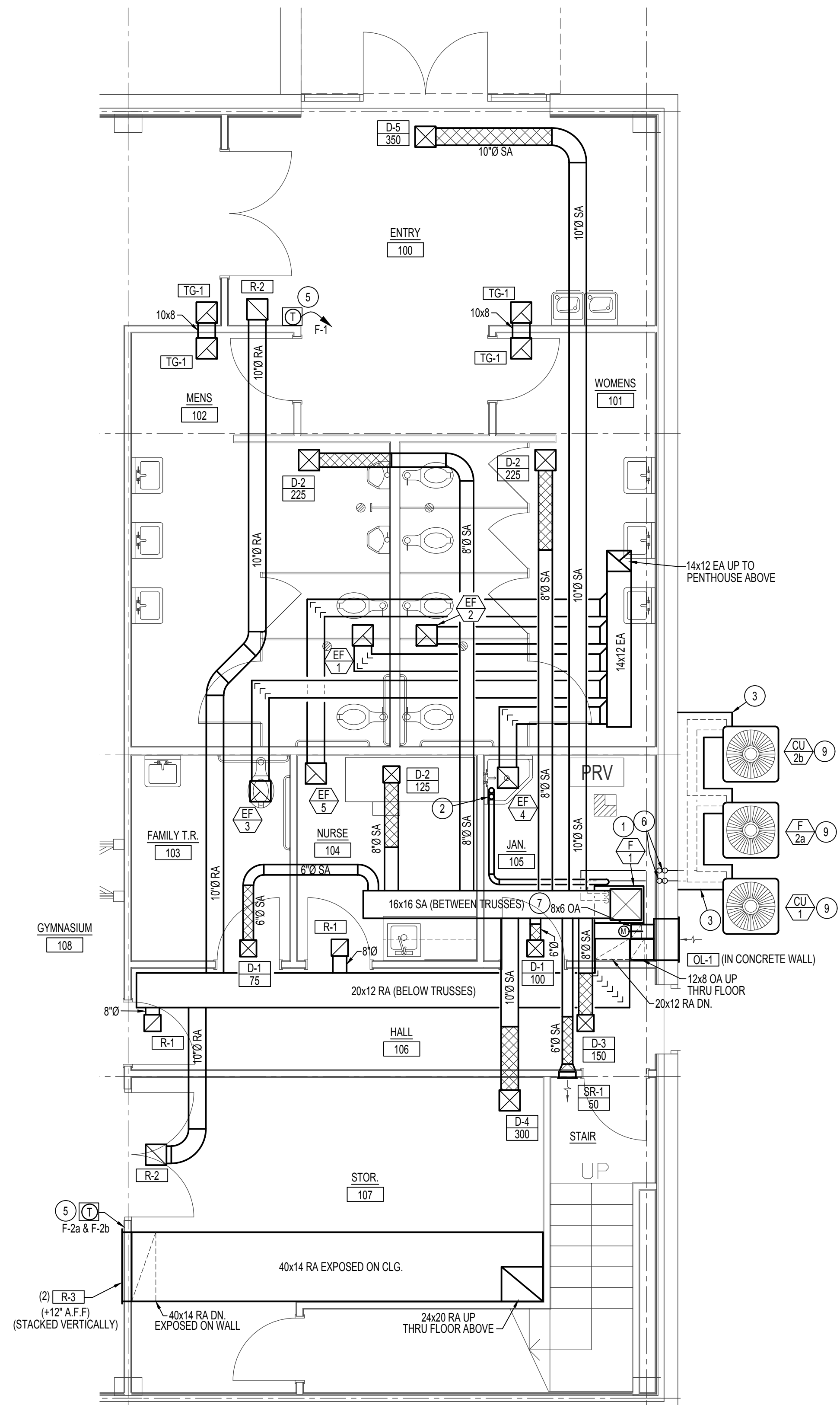
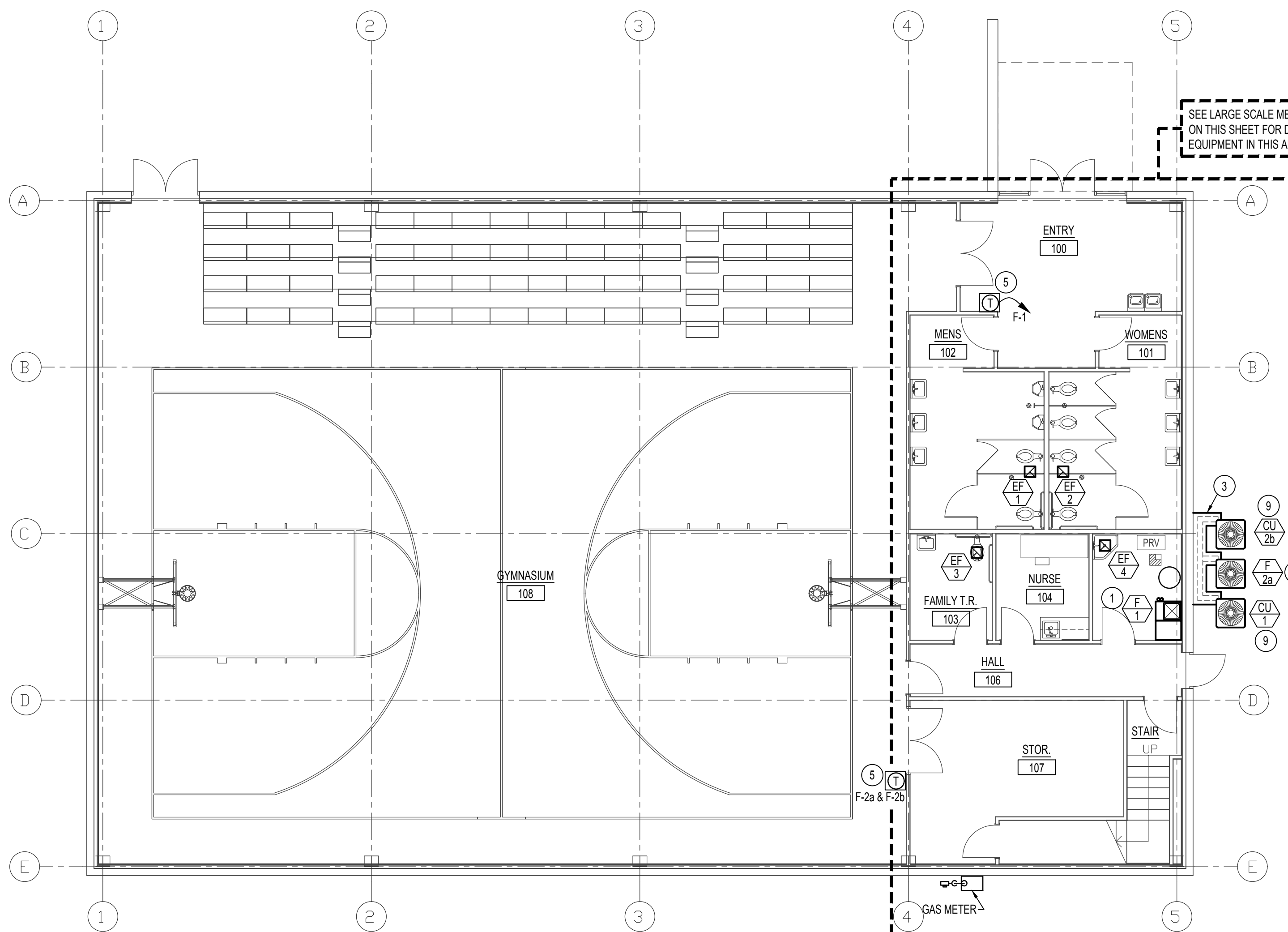


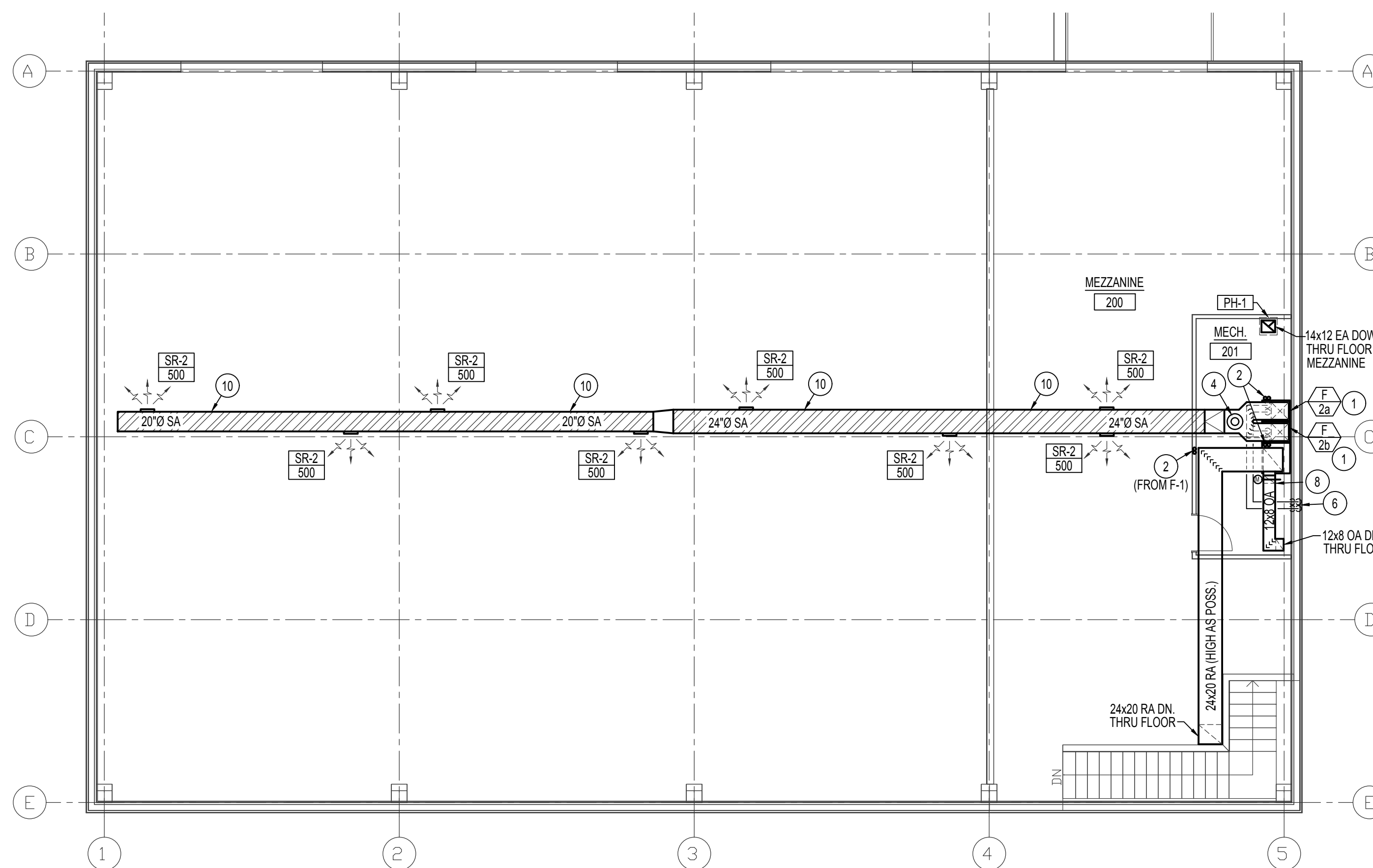
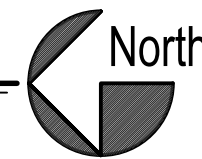
F:\20\20010 Shoban Tribe Gym\20010 M1.0.dwg Jul 17, 2020 - 9:04am



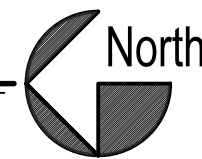
**LARGE SCALE MAIN FLOOR MECHANICAL PLAN**  
SCALE: 1/4" = 1'-0"



**MAIN FLOOR - MECHANICAL PLAN**  
SCALE: 1/8" = 1'-0"



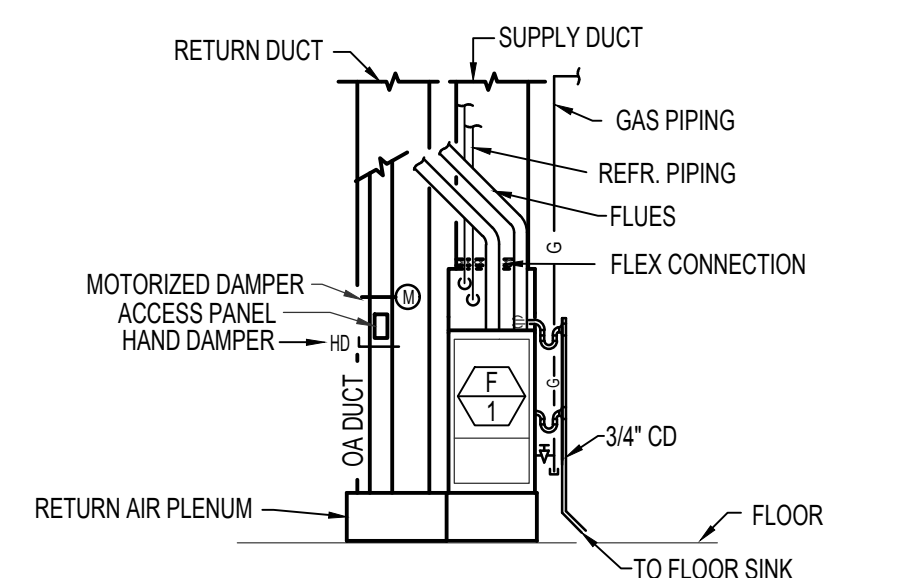
**MEZZANINE MECHANICAL PLAN**  
SCALE: 1/8" = 1'-0"



**PLAN NOTES:**

- 1 INSTALL FURNACE ON 12" HIGH RETURN AIR PLENUM. SEE DETAIL ON SHEET M2.0
- 2 RISE (2) 3" O FURNACE FLUES UP THRU METAL ROOF TO VERTICAL VENT TERMINATION ASSEMBLY. KEEP FLUES NEAR PEAK OF ROOF TO PREVENT SNOW SHEAR. SEE DETAIL ON SHEET M2.0
- 3 COVER EXPOSED REFR. PIPING WITH GALVANIZED SHEET METAL COVER. SEE DETAIL ON SHEET M2.0.
- 4 INSTALL UL RATED SMOKE DETECTOR IN SUPPLY AIR DUCTWORK FOR EMERGENCY FAN SHUT-DOWN ON TWINNED FURNACE SYSTEM.
- 5 INSTALL FURNACE ON WALL IN LOCATION SHOWN COMPLETE WITH LOCKABLE METAL COVER.
- 6 RISE (2) SETS OF REFR. PIPING UP IN STUD SPACE OF WALL TO SERVE FURNACE F-2a & F-2b ON MEZZANINE LEVEL.
- 7 CONNECT 8x6 OUTSIDE AIR DUCT TO LOUVER AND RUN AS SHOWN DOWN TO FURNACE PLENUM AND CONNECT. INSTALL HAND DAMPER, ACCESS PANEL AND MOTORIZED DAMPER IN VERTICAL PORTION OF 8x6 OA DUCT. BALANCE HAND DAMPER TO 160 CFM AND INTERLOCK MOTORIZED DAMPER WITH FURNACE OPERATION.
- 8 CONNECT 12x8 OA DUCT TO LOUVER OL-1 AND RUN AS HIGH AS POSSIBLE. DROP DOWN AND CONNECT TO RETURN AIR DUCT NEAR FURNACE PLENUM. INSTALL MOTORIZED DAMPER, ACCESS PANEL AND HAND DAMPER IN VERTICAL PORTION OF 12x8 OA DUCT. BALANCE HAND DAMPER TO 400 CFM AND INTERLOCK MOTORIZED DAMPER WITH TWINNED FURNACE (F-2a & F-2b) OPERATION.
- 9 INSTALL CONDENSING UNIT IN LOCATION SHOWN ON CONCRETE APRON. SEE SITE PLAN.
- 10 INSTALL SPIRAL EXPOSED DUCTWORK AS HIGH AS POSSIBLE IN LOCATION SHOWN. COORDINATE WITH ELEC. LIGHTING AND OTHER TRADES TO AVOID CONFLICTS.

SEE LARGE SCALE MECHANICAL PLAN ON THIS SHEET FOR DUCTWORK AND EQUIPMENT IN THIS AREA.



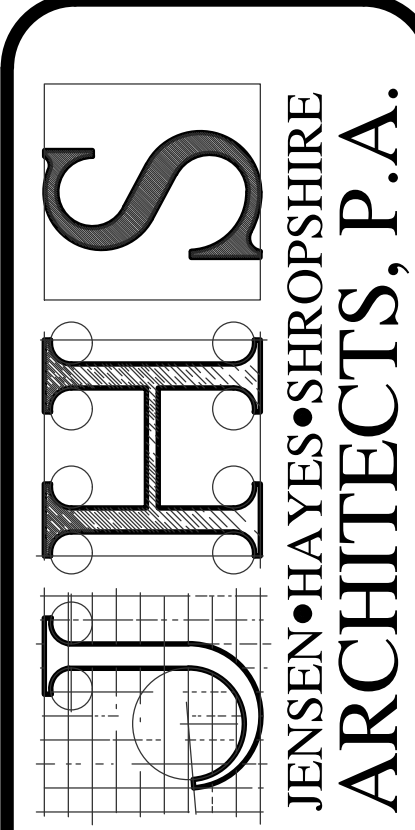
**TYPICAL UPFLOW FURNACE ELEVATION**  
NO SCALE

**Engineered Systems Associates**  
1355 EAST CENTER  
POCATELLO, IDAHO 83201  
PHONE: (208) 233-0501  
FAX: (208) 233-0529  
EMAIL: esa@engsystems.com  
ESA JOB NUMBER: 20010

July 17, 2020

COPYRIGHT 2020  
JENSEN•HAYES•SHROPSHIRE  
ARCHITECTS, P.A.

125 NORTH GARFIELD  
POCATELLO, IDAHO 83204  
(208) 232-1225



**SBT ECDC GYMNASIUM**  
W ROSS FORK RD

**MECHANICAL FLOOR PLANS**

REVISIONS:

DATE: JULY 2020

DRAWING NO. **M1.0**

JOB NO. 1913.1

OF